



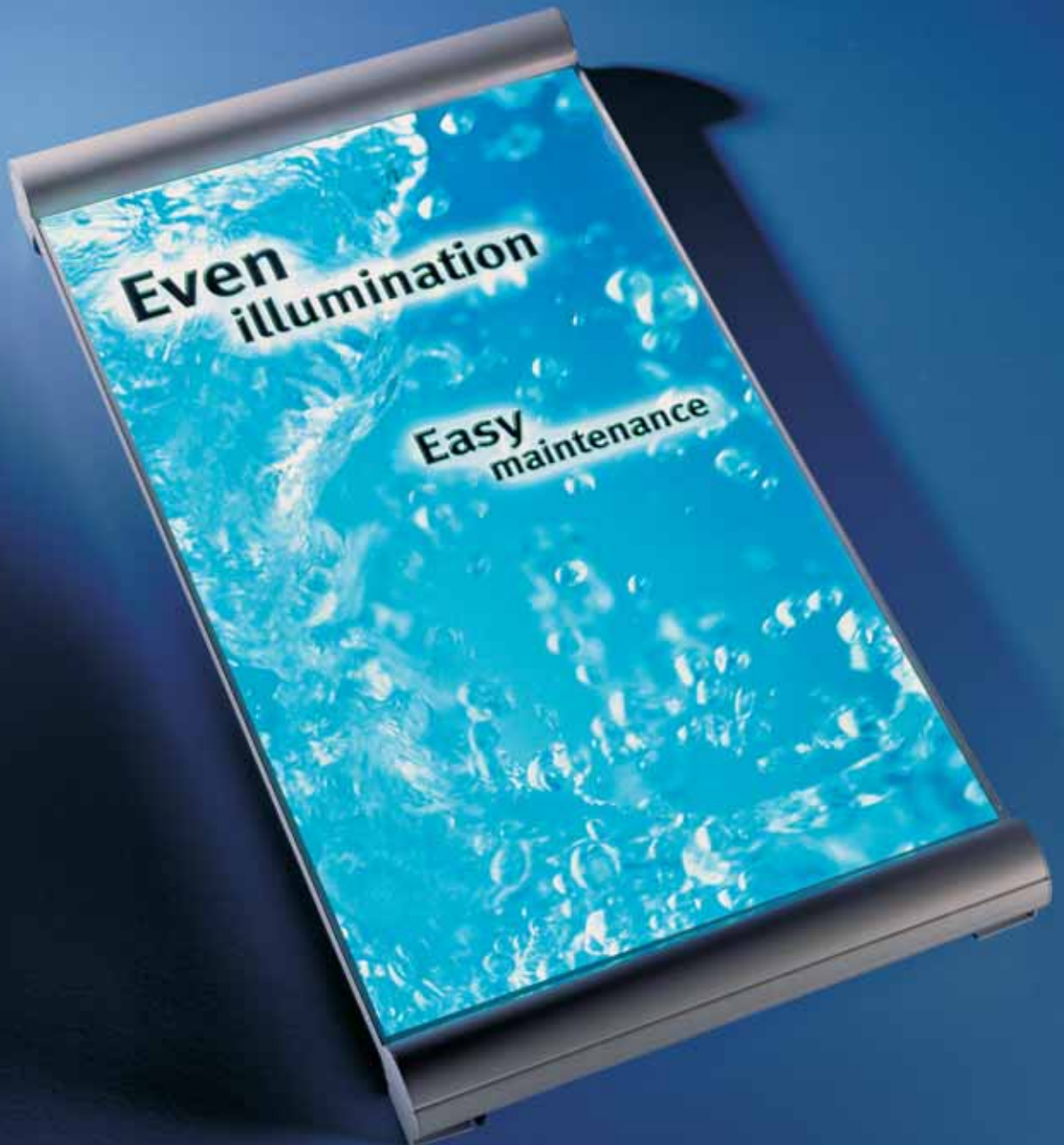
Luminedge

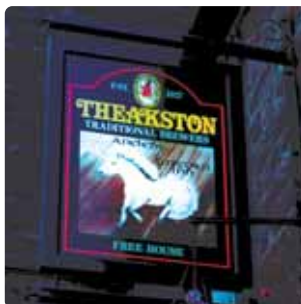
SIGN SOLUTIONS



Bright and even illuminated edge-lit sign technology

Luminedge is a range of slim signing extrusions designed to overcome the issues of “hot-spots” and uneven light distribution. All the units use Lucite International’s Prismex™ technology giving Luminedge clear advantages over other edge-lit signing systems.





- **Slim Profiles**
Even illumination can be achieved using edge profiles as thin as 45mm.
- **Energy Efficiency**
Fewer lighting tubes reduce costs.
- **Even Illumination**
There is no dark banding, just bright white light.
- **Greater Luminance**
Each lamp provides evenly lit panels up to 600mm from a single light source and 1200mm when it is lit from opposing ends.
- **Simple Maintenance**
Easy access to components ensures cost-effective part replacement.
- **Low Heat Emissions**
Posters, photos and transparencies can be used due to the low levels of heat output.
- **Bespoke Formats**
Specific designs can be made with close consultation and advice with the Luminedge department.
- **Non Illuminated**
All extrusions are available as illuminated or non illuminated units.



Blade Signs

Three types of blade sign profiles exist:

- Oval extrusion
- Circular extrusion
- Traditional extrusion

Options include:

- Hanging and wall bracket mounting
- Permanent or changeable faces
- Single or double sided units
- Hinged doors for easy access

Four edge trims are available on the circular and oval extrusions but only one for the traditional extrusion.

Oval Extrusion



Available Extrusions - 2

- Small Oval Housing
50mm x 70mm
- Large Oval Housing
70mm x 100mm

Circular Extrusion



Available Extrusions - 1

- Housing Diameter 75mm

Traditional Extrusion



Available Extrusions - 1

- Housing 55mm wide x 96mm high

For more detailed specifications please refer to the technical drawings on the inside back page.



Frame Sign

The Luminedge frame sign is no more than 45mm deep making each unit suitable for internal or external illuminated signing projects.

The frame sign is available with either simple lockable access points for small posters or with screw fixings for permanent displays. Weather seals are supplied with external units.

The hinged door has a pressure sensitive cut-out switch fitted. This is to isolate units from the mains when opened.

Poster Box

Each Luminedge poster box has a slim profile with a depth, front to back, of 65mm. This dimension coupled with a hidden door hinge makes this poster box ideal for both internal and external displays.

Both locks and lighting tubes can be re-positioned. This allows for greater flexibility when sizing the unit.

The hinged door has a pressure sensitive cut-out switch fitted. This is to isolate units from the mains when opened.

Frame Sign



Available Extrusions - 1

Depth

Single Sided: Profile no more than **45mm**
 Double Sided: Profile no more than **55mm**

Poster Box



Available Extrusions - 1

Depth

Profile no more than **65mm**



For more detailed specifications please refer to the technical drawings on the inside back page.





Applications

The slim extrusions make this range of edge-lit signs suitable for a variety of uses:

- Retail Outlets
- Hotels
- Supermarkets
- Exhibitions
- Shopping Malls
- Transport Terminals
- Forecourts
- Stadiums
- Restaurants
- Cinemas / Theatres
- Drive-Thru's
- Themeparks
- Banks / Building Societies

Advantages

- Clear, sharp images
- Lower running costs
- Slim profiles
- Even light distribution
- Lower replacement costs

Sizing

High output fluorescent tubes dictate the size of each Luminedge unit. Therefore, for frame signs and poster boxes at least one side of the profile must be similar in length to the lighting tube. For all blade signs, the light housing extrusion must be similar in length to the lighting tube being used.

T5 tubes are used in all Luminedge units but because there are so many different tube lengths, it is recommended that any Luminedge signing requirement is discussed over the telephone with a trained advisor.

Suitability

The following display media can be effectively used inside any Luminedge unit.

- Posters
- Paper
- Vinyls
- Screen prints
- Duratrans
- Photographs



Prismex™ Technology

The patented Prismex™ technology, used in all finished illuminated units, can also be bought in sheet form for use in other edge-lit units or displays.

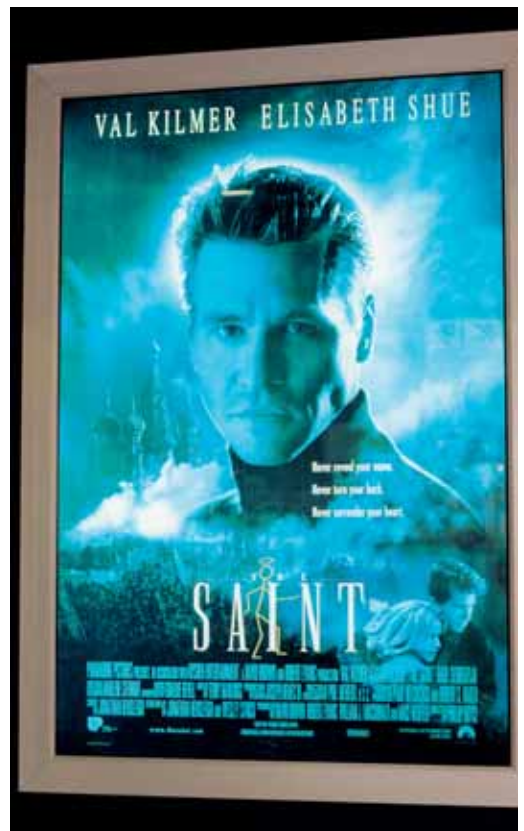
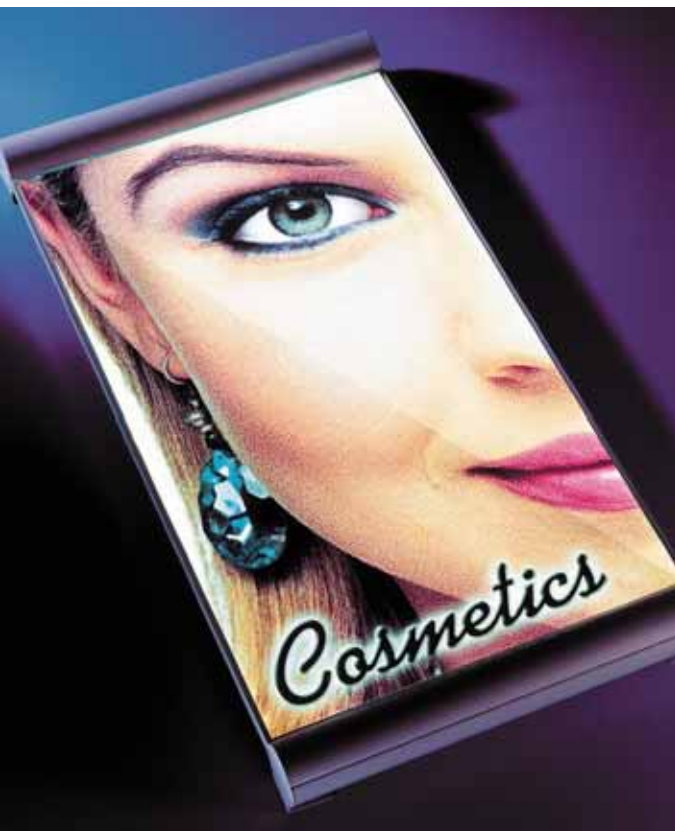
Produced onto Lucite International's clear acrylic sheeting, Prismex™ can be cut and the dot matrix pattern printed either side to any specific size.

Ordering Prismex™ Sheeting

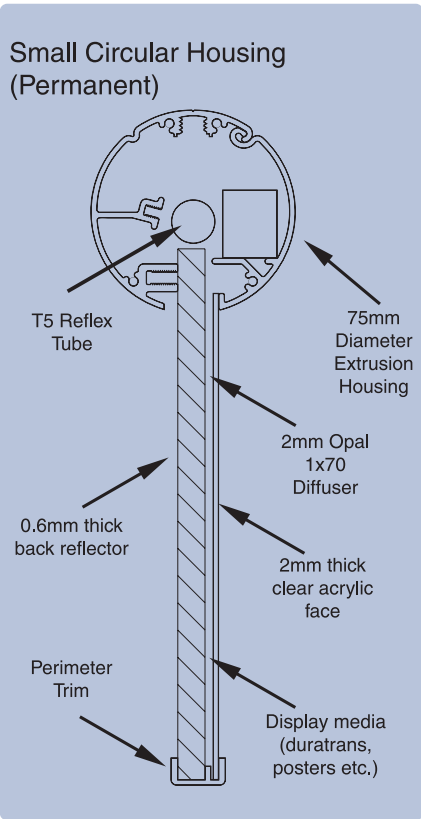
Information required:

- The overall size of the panel
- The thickness of the required panel: 5mm, 8mm, 10mm, 12mm or 15mm
- The light source position
- Where possible, the application of the panel should be identified. Different dot matrix patterns are used for different applications.

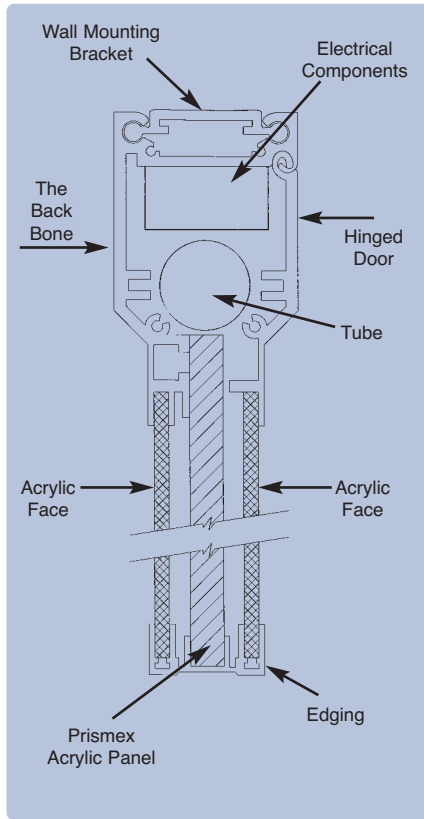
Further details about ordering Prismex™ panels can be requested by contacting William Smith.



Circular Extrusion*

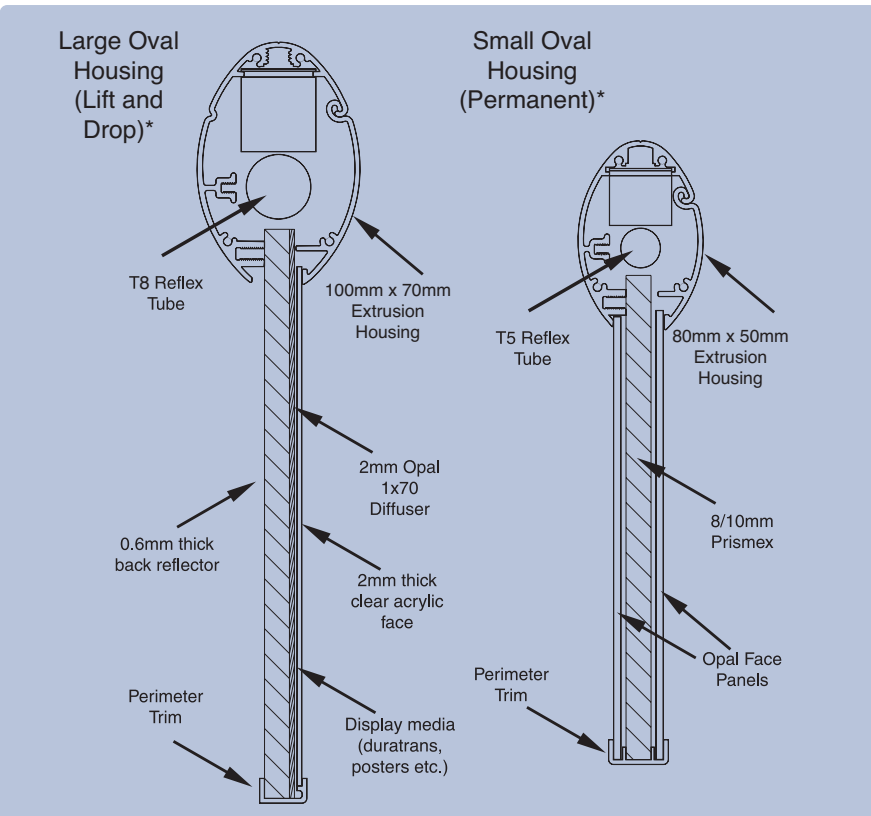


Traditional Extrusion

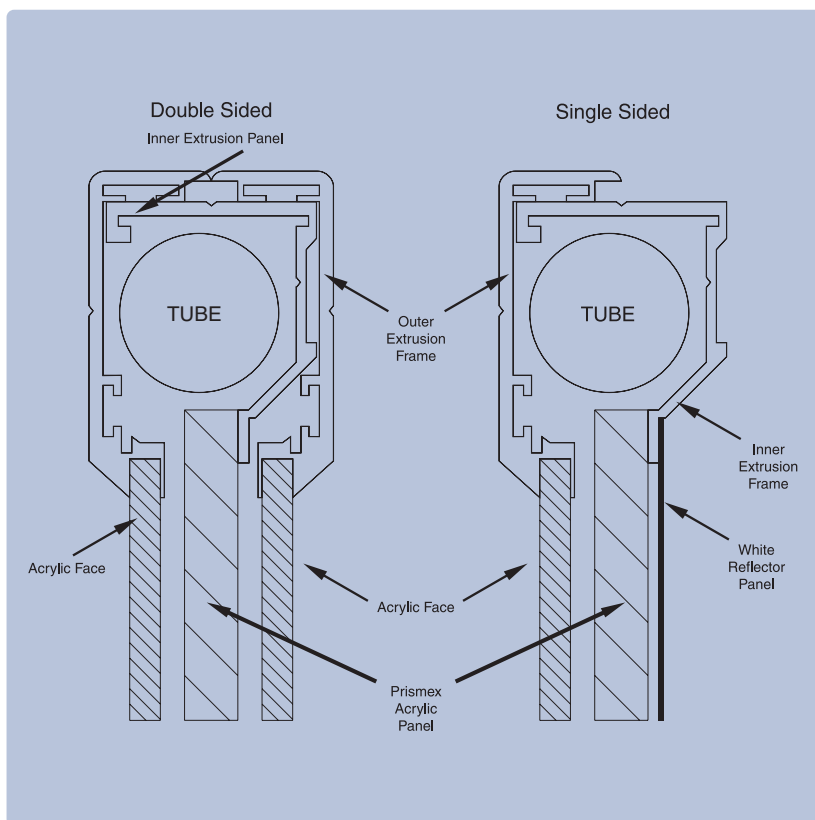


*Lift and drop is available

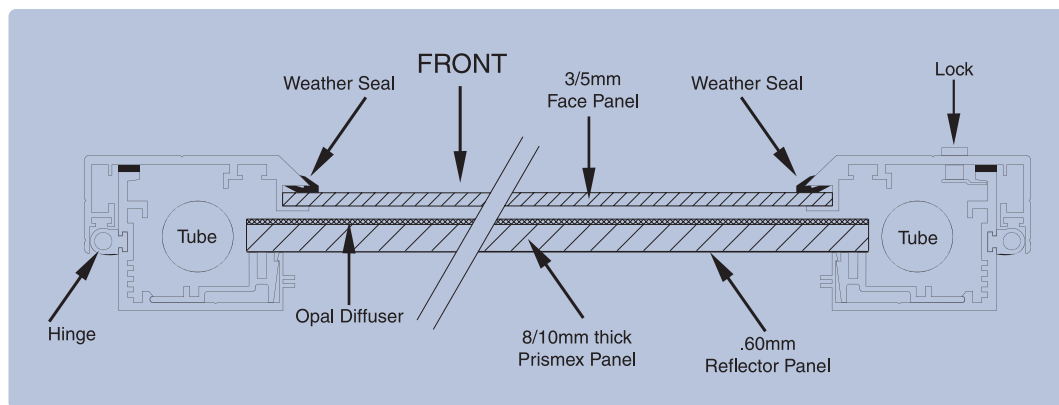
Oval Extrusion



Frame Signs



Poster Box





William Smith

established 1832

Tel 01833 690305
Fax 01833 637268

Web
www.williamsmith.co.uk

Email
info@williamsmith.co.uk

Material Distribution

Graphic Solutions

Sign Solutions

William Smith Grove Works BARNARD CASTLE Co. Durham DL12 8JG